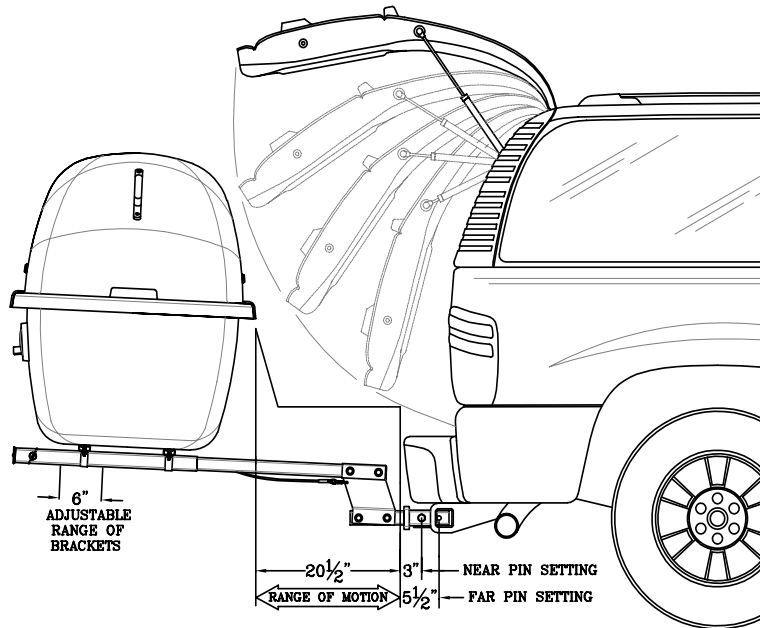


Cargo Carrier Clearances Details

LGA cargo carriers are highly adjustable for the rear clearance needs of many vehicles*. Both INSTALLED and TELESCOPED clearance measurements for the GearSpace™ 34 & 20, and the GearDeck™ 17 cargo carriers are noted below.



GearSpace™ 34 & 20 (Above)

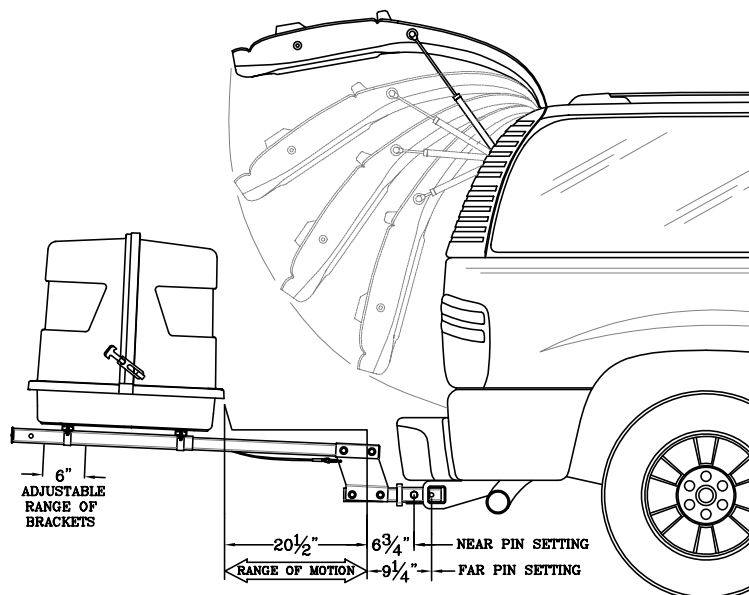
Installed Clearance: Up to 11 1/2"

Telescoped Clearance: Up to 32"

GearDeck™ 17 (Below)

Installed Clearance: Up to 15 1/4"

Telescoped Clearance: Up to 35 3/4"



*We do not guarantee that our carriers will clear your vehicle. To verify your rearward clearance requirements, measure the distance from your hitch pin hole rearward.