

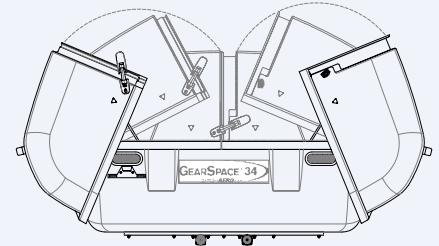
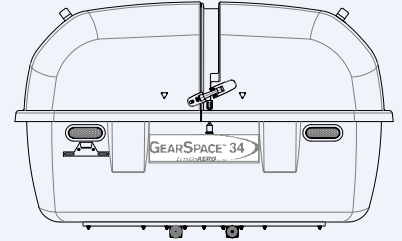


LET'S GO AERO
Gear Management Solutions™

GEARSPACE™ 34 CARGO CARRIER

This high capacity cargo carrier is tough and buff -- perfect for your stuff! Aerodynamic, secure, and water-tight design provides more cargo capacity than any rooftop or hitch based cargo carrier available today. At 34 cubic feet, GearSpace™ 34 meets real life capacity needs in unprecedented fashion.

- Telescopes for rear vehicle access.
- Strong, stable, and adjustable platform for varying rear clearance needs. TwinTube™ is the GMC Professional Grade Award winner.
- Two Silent Hitch Pins™ included for Total Stability™.
- Fits 2" size receiver style hitches with Class II tow rating minimum.



Available in two automotive color options:



Dark Grey



Light Grey



SPECIFICATIONS

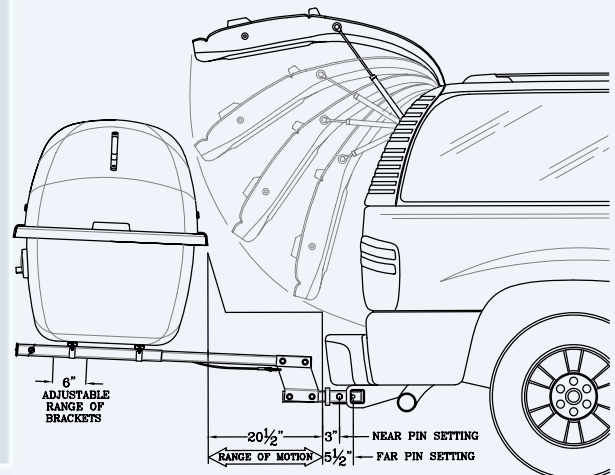
Cargo Space: 34 cubic feet
 Dimensions: 68" L x 33" W x 40" H (outside)
 Empty Weight: 120 lbs.
 Cargo Weight Capacity: Up to 300 lbs.

Material/Construction:

- Polyethelene (pod) & Steel (TwinTube™ platform)
- Lighting: Complete lighting system using four-flat connector.
 - LED Lights (stop, turn, tail)
 - Illuminated license plate holder
- Latches: Automotive grade elastomer, corrosion-proof draw latches provide tight fit lid enclosure for complete weatherability.
- Security: Stainless steel pin lock.

Clearances (from hitch pin hole rearward):

- Up to 11" installed clearance.
- Up to 32" telescoped clearance.



**For More Information and
 To Order, Contact Us:
 877-GO-4-AERO (464-2376)
 www.LetsGoAero.com**