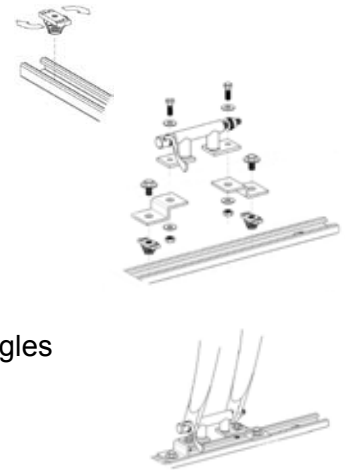
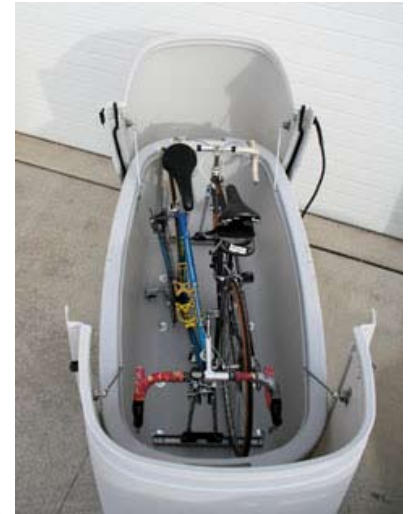


## Bicycle Transport

Using GS-34 Bike Mount Hardware Kits  
Sold Individually, Part No. ACC 3007

GearSpace 34 transports up to two bicycles with front wheel removed. To transport in secured, upright position, Bike Mounting Hardware Kit(s) are an available option.

**Fits two standard bicycles (mountain or road) with frames up to 60 centimeters, and handle bars up to 21" in width.** One bicycle may be accommodated if larger than 60 centimeters. Position bicycles in opposite direction as shown.



Bike Mount Kits are sold individually. Each hardware kit includes:

- **C Channel Track** (install in base using existing bolt holes and hardware)
- **Spring Nuts** (two per kit fit inside Track for 0.25 x 20" bolt hole fittings)
- **Mounting Brackets** (two per kit allows quick release to position at varying angles from the Track. This in turn allows the bicycle's fork and handle bars to angle for position fit as needed)
- **Quick Release Fork Mount** (secures front fork of bicycle to the carrier)
- **Length Adjustable Bungee Cord** (secures front wheel along side of bicycle frame inside carrier)

### Installation

Bolt C Channel Tracks inside base on opposite ends (farthest outward) as shown below. To do so, unbolt existing hardware on carrier's floor. Line up holes with the track's. Install using carrier's bolts and nuts; however, smaller washers are supplied to use in the track in place of the carrier's larger washers for proper fit.



### Mounting Bicycles Inside Carrier

Position Quick Release along track at preferred location for best fit of bicycles and other cargo by loosening bolts to slide Quick Release along track. Loosen bolts to swivel Mounting Brackets to position Quick Release at varying angles that may be needed for fit of bicycle's handle bars. Secure free wheel to bike frame with length adjustable bungee cord.

