



GRAB YOUR GEAR and GO!

With Capacity & Convenience

GEARDECK™ 17 Cargo Carrier System

The GearDeck™ 17 system is the best value solution to your gear transport needs, with industry leading price-point capacity of 17 cubic feet. Perfect for transporting all kinds of gear, from luggage to recreational equipment to portable generators!



Available with either black or white lids (black tray)

GearDeck™ 17 is a highly versatile, modular system that can be used as an:

- Enclosed and securable gear carrier (GearDeck™ 17)
- Open platform cargo carrier (GearDeck™)
- A hitch rack (TwinTube™ U-Build-It™)

See back side for specifications on all three product options.



GearDeck™ 17 gives RVs extra storage.



GearDeck™ 17 is perfect for transporting generators.

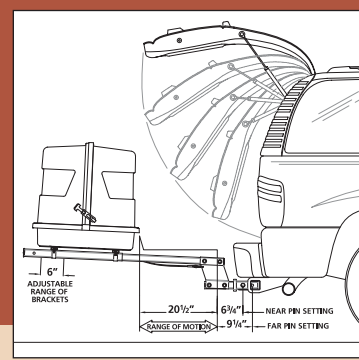


Carries generators and tools in a virtual workshop.

Telescopes For Rear Vehicle Access



GearDeck™ 17's TwinTube™ platform telescopes up to 35 inches for rear vehicle access, and is highly adjustable to accommodate many added rear vehicle clearance needs.



Contact Let's Go Aero by calling Toll Free **1.877.GO.4.AERO** (1-877-464-2376) or visit us on the web at www.LetsGoAero.com for more information.

Gear Management Solutions™ for All Your Cargo Needs

TWINTUBE™ UBI™ (Hitch Rack)



A U-Build-It™ (UBI™) gear rack product option for the do-it-yourselfer to construct a platform of choice, and is the GMC Professional Grade Award Winner.

- Dual tube design for balanced strength and stability.
- Telescopes for rear vehicle access.
- Hardpoint™ channel used on cross wings for freely adjustable attachment points. (See *Spring Nut* accessory option for suggested attachment device).
- Two LGA patented Silent Hitch Pins™ included for Total Stability™.

Weight: 48 lbs.

Cargo Weight Limit: 300 lbs.

Cross Wing Length: 44"

Maximum suggested load width: 54"

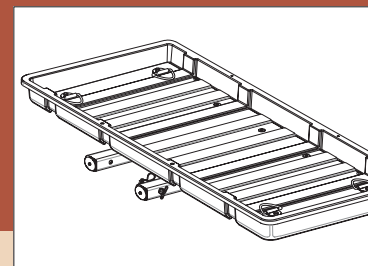
Clearance: Two Silent Hitch Pin™ settings for enhanced vehicle clearance capability (6¼" and 9¼").



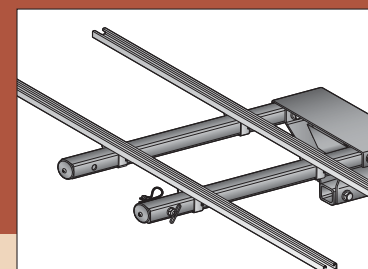
Silent Hitch Pin™



GearDeck™ 17 Enclosed Cargo Carrier with lids removed.



GearDeck™ Open Platform Tray.



TwinTube™ UBI™ Hitch Rack.



GearDeck™ 17 holds all kinds of cargo.



GearDeck™ carrying bikes.

GEARDECK™ (Open Platform Carrier)

An open platform carrier option for transporting larger items like bicycles, lawn mowers, and more.

- Solid tray design protects cargo from road grime.
- Floor ribbing and drain channeling prevent water accumulation with removable drain plugs.
- Four D-ring tie downs for attachment of cargo to tray.
- Two LGA patented Silent Hitch Pins™ included for Total Stability™.

Tray Dimensions:

- (inside) 46½" L x 24" W x 5½" H;
- 52" Diagonal

Overall Weight:

- Tray: 10 lbs.
- TwinTube™: 48 lbs.

Cargo Weight Capacity:

Material:

- TwinTube™: Steel.
- Tray: High molecular polyethylene.

Clearances:

- (from hitch pin hole rearward)
- Up to 15" installed clearance.
- Up to 35" telescoped clearance.

GEARDECK™ 17 (Enclosed Cargo Carrier)

Complete system as fully enclosed and securable cargo carrier with industry leading price-point capacity of 17 cubic feet.

Overall Weight:

- Tray: 10 lbs.
- Lids: 14 lbs.
- TwinTube™: 48 lbs.

Cargo Weight Capacity:

Dimensions:

- (outside) 48" L x 25" W x 27" H;
- (inside) 46½" L x 24" W x 25" H;
- 52" Diagonal.

Material:

- TwinTube™: Steel.
- Tray & Lids: High molecular polyethylene & Steel.

- Rubber elastomer corrosion-proof draw latches.
- **Environmental:** Weather-resistant.
- **Security:** Padlock location provided.

Clearances:

- (from hitch pin hole rearward)
- Up to 15" installed clearance.
- Up to 35" telescoped clearance.

Accessory Options



Taillight Package

- Stop/turn/taillight package with four flat wire connectors.



Bike Mount Package

- Transport up to three bicycles with Bike Mount accessory packages.



Spring Nut Package

- Spring Nut convenient packages for gear attachment to Hardpoint™ Channel.



Silent Hitch Pin™ Locks

- Locks carrier to vehicle.



Landing Gear™

- Ease of use mobility system. Several models available.