

GearWagon™ 125 Bike Mount Operation

The GearWagon™ 125 carries up to 6 bicycles, which may be secured inside the trailer's Hardpoint Track using LGA's Bike Mount Accessory Hardware Kits. Bicycles are secured by clamping the front fork to the quick release mounting hardware included. The front wheel of each bicycle is secured using the length adjustable bungee retainer supplied with each kit.



Each Bike Mount Hardware Kit includes:

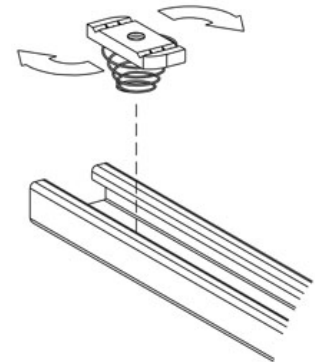
- **Spring Nuts** (two per kit fit inside Hardpoint Track for 0.25 x 20" bolt hole fittings)
- **Mounting Brackets** (two per kit allows quick release to position at varying angles from the Hardpoint Track. This in turn allows the bicycle's fork and handle bars to angle for position fit as needed)
- **Quick Release Fork Mount** (secures front fork of bicycle to the trailer)
- **Length Adjustable Bungee Cord** (secures front wheel along side of bicycle frame inside trailer)
- **Mounting Hardware** (bolts, washers, nyloc nuts)

Installation:

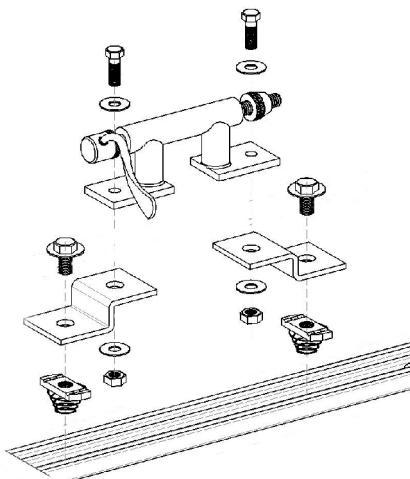
Step 1: Insert Spring Nuts into Hardpoint Track

The Spring Nut is the fundamental building block for the mounting hardware. To install, place spring end of Spring Nut hardware into the Hardpoint Track (the metal frame located at the inside base of trailer). The rounded nut end permits easy insertion.

Pressing down with your thumb, twist 90 degrees clockwise to align the grooves in each nut (2 Spring Nuts per Bike Mount kit) with the in-turned edges of the Hardpoint Track.



Step 2: Bolt Mounting Brackets and Quick Release Fork Mounts



Secure the Quick Release Fork Mounts to the Mounting Brackets using (2) bolts, (2) 0.25 x 0.75" washers, (2) 0.25 x 1.25" washers, and (2) nyloc nuts.

Secure the Mounting Brackets to the Spring Nuts using (2) bolts and (2) 0.25 x 1.25" washers.

GearWagon™ 125 Bike Mount Operation

The Mounting Brackets provide versatility to the angles of the bicycles.

Position bicycles in a zig-zag formation before clamping down.



Position Mounting Brackets inward to provide clearance for each bicycle's handlebars from the sidewall of the trailer.

Attach coated metal hook of the Length Adjustable Bungee Cord to each bicycle frame, wrap cord through bicycle wheel, and attach plastic hook end to bicycle.

