

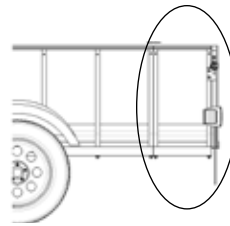
# LITTLEGIANT TRAILER™ 1' Extension

Part No. ACC 3075

The LGT Extension transforms the 7' LittleGiant Trailer into an 8 foot long trailer by inside dimension. This is effectively that of a full size pick up bed.

The 1' Extension is a bolt together add-on, and installs at the rear of the trailer.

## Installation

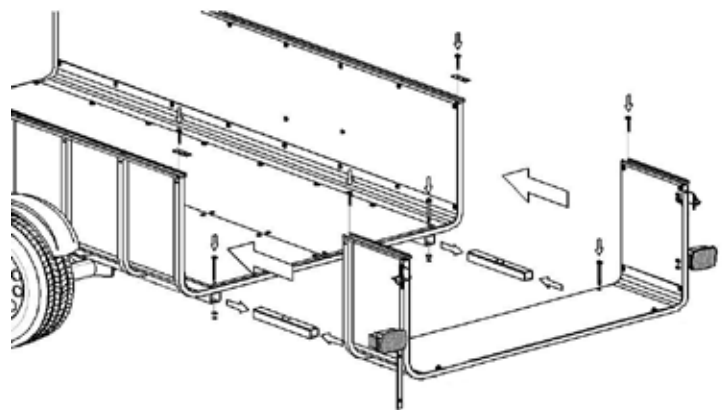


### Qty Description

- 1 Base Panel
- 2 Side Panel
- 2 Corner Cove
- 2 Inside Frame Telescope Tube
- 2 Outside Frame Telescope Tube
- 2 C-Channel Extension
- 2 C-Channel Tie Plate
- 1 #9 U-Tube (Body Style)
- 1 #10 U-Tube (End Gate Style)
- 4 Pin Nut Assembly (M8x25 fine thread bolt, lock washer and flat washer)
- 4 M8 x 60 bolt
- 4 M8 Split lock washer
- 4 M8 x 25 Fender washer
- 12 K-Lath Phillips Tek screw
- 12 Star washer
- 12 M5 x 25 flat washer
- 2 12" Wire Harness Extension with attached butt connectors
- 2 1/2" Ribbed cable protector
- 2 3/8" Ribbed cable protector splice
- 2 Ring Connector

### Tools Needed

- Variable speed drill
- 13 mm socket
- 13 mm wrench
- 10 mm wrench
- Phillips power bit
- Wire Stripper/crimper



### Step 1 Remove Hardwares

Remove rear end gate supports and hardware from rear of trailer body to include latches, brackets, and tail light assemblies. Set aside.



### Step 2 Install Extension Tubes

Locate two M8 x 50 bolts, two flat washers, and two lock washers, and install the two Inside Frame Telescope Tubes. Slip the two Outside Frame Telescope Tubes over the Inside Tubes but do not secure.



# LITTLEGIANT TRAILER™ 1' Extension

## Step 3 Install U-Tubes

Place the Body Style U-Tube on the Frame Tubes and keep in place using two M8 x 50 bolts. Place the End Gate Style U-Tube on the Frame Tubes as shown. Keep it in place using the two End Gate Support Bracket bolts removed earlier.



## Step 4 Insert Pin Nuts

Slip the four Pin Nuts into the holes near the tops of the Frame Tubes. Hang the two Side Panels on the U-Tubes. You will want the Pin Nuts to protrude slightly through the Side Panels.



## Step 5 Attach C-Channel Extensions

Attach the two C-Channel Extensions to the rear (#10 U-Tube) Pin Nuts using two M8 x 25 bolts, two lock washers, and two flat washers. Leave the front end of the C-Channel Extension unsecured.



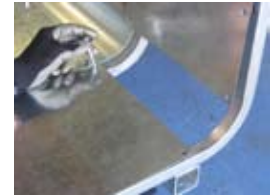
## Step 6 Attach Tie Plates

Remove the two M8 x 25 bolts from the #8 U-Tube Pin Nuts. Slip the two C-Channel Tie Plates into the C-Channel and secure with four M8 x 25 bolts, 4 lock washers, and four flat washers, using two sets that were removed and two sets from your extension kit. You may wish to use a clamp of the type shown to aid in assembly.



## Step 7 Install Base Panel

Remove the four bolts previously inserted to keep the U-Tubes in place on the Outside Frame Tubes. Place the Base Panel onto the U-Tubes. Reinsert the bolts removed along with flat washers, lock washers and nuts, but do not tighten.



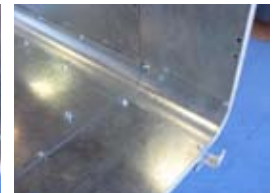
## Step 8 Install Corner Covers

Place the Corner Covers *under* the Base Panels (against the bolt shafts) and against the Side Panels as shown. Secure them along the top using four K-Lath screws, four star washers, and four flat 3/16" washers. Tighten the nuts on the two End Gate Support Bracket bolts and the two M8 x 50 bolts.



## Step 9 Finish Base Panel Tightening

Finish securing the Base Panel using the six K-Lath screws, six star washers, and six 3/16" flat washers.



## Step 10 Install End Gate Latches

Install the two end gate latches near the top of the #10 U-Tube. These are the latches removed and set aside in step one.



# LITTLEGIANT TRAILER™ 1' Extension

## Step 11 through 16 Extend & Install Wiring

**Step 11** Carefully remove the wiring from the tail lights and cut the ends so that they are approximately the same length. Strip ½" of insulation from the end of each of the six wires.



**Step 12** Take the Wire Harness Extension and crimp each butt connector to its counterpart on the trailer's wire harness. The yellow wire will connect to the green trailer wire when working on the passenger side.



**Step 13** Reattach the two tail light brackets. Determine how much of the extended wire harness to remove and make the necessary cuts. Again, strip about ½" insulation from each wire, and thread into the corresponding holes on the rear of the tail light.



**Step 14** Cut two 2" lengths of electrical tape (not supplied) and apply over the wiring and against the back of each tail light to secure the wiring in the groove. Insert tail light studs through their respective brackets, place a lock washer and nut on outside studs and tighten.



**Step 15** Crimp a Ring Terminal on each white wire and place over inside studs followed by lock washers and the remaining nuts. Tighten the nuts.



**Step 16** Slip the two Ribbed Cable Protector Splices onto the wiring and halfway into the existing cable protector as shown. Slip the 1' lengths of ribbed cable protector onto the wiring and over the splices. Cut to length. Secure the wiring to inside of LGT frame with zip ties.



Replace the end gate.

