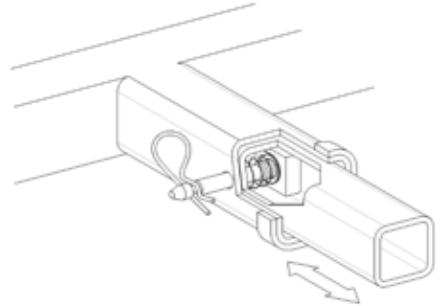
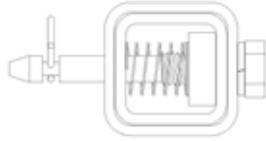


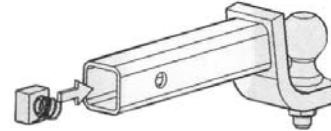
SILENT HITCH PIN™ INSTALLATION

This anti-vibration device takes the movement out of the connection between the vehicle towing system (hitch) and what's being towed (hitch accessory). It keeps HOLLOW ball mounts and hollow tow devices secure and rattle-free. Cannot be used with solid tow accessory devices.

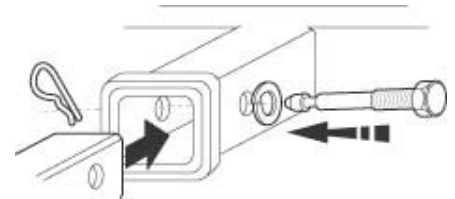
Installation is easy!



1. Insert the spring nut into the shank tube as shown in figure 1. Make sure the nut threads are in alignment with the shank pin holes.



2. Slide the shank with the spring nut installed into the hitch receiver and align the shank pin hole with the hitch receiver pin hole.



3. Place the lock washer on the Silent Hitch Pin™ and insert it through the hole in the receiver as shown in figure 2.

4. Thread the Silent Hitch Pin™ into the spring nut and tighten firmly. A 15/16" or 5/8" tool, depending on the pin model purchased, is required to tighten the Silent Hitch Pin™ for proper function.

Use a wrench to securely tighten the Silent Hitch Pin™ to 30 ft. lbs - 60 ft. lbs of torque (equivalent to tightening a lug nut on a car wheel). Failure to properly tighten the Silent Hitch Pin™ will result in improper function.

5. Insert pin clip as shown. If a lock accessory or locking Silent Hitch Pin™ model was purchased, place the lock onto the Silent Hitch Pin™.

You are now ready for safe and silent towing.

Performance tip: Put a small amount of lubricant on the Silent Hitch Pin™ threads if used in a marine trailer environment. This will help protect the Silent Hitch Pin™ threads from corrosion.

U.S. and International Patent Numbers 6,409,203; 6,609,725; 6,945,550; Patents Pending